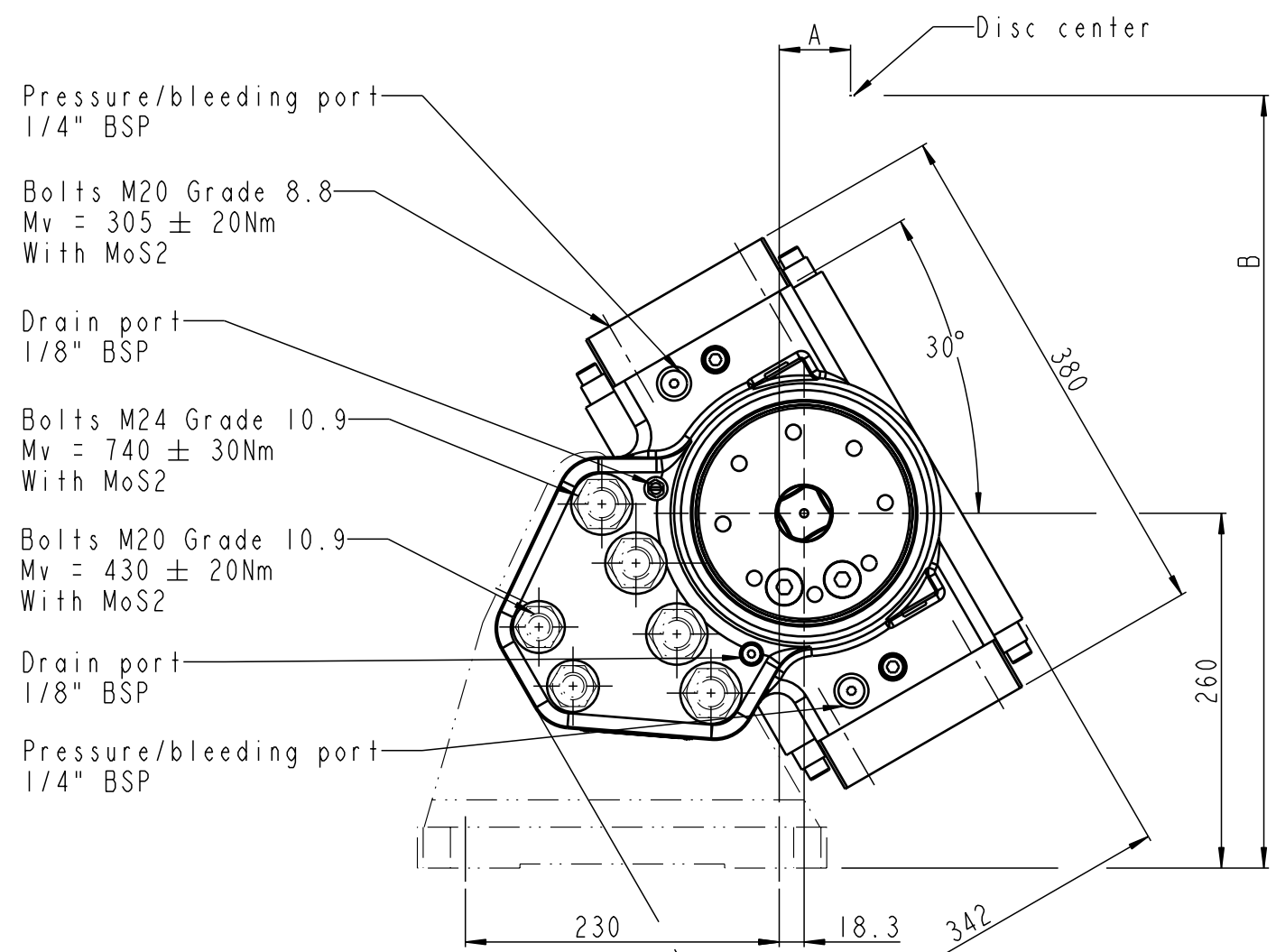


Denmark: Jernbanevej 9, 5882 Vejstrup, Denmark
Germany: Kirchnerstrasse 42, D-32257 Bünde, Germany

This drawing/document is the sole property of
Svendborg Brakes A/S and may not be copied,
given to a third party or used for unauthorized purpose

A B C D E



Pressure/bleeding port
1/4" BSP

Bolts M20 Grade 8.8
Mv = 305 ± 20Nm
With MoS2

Drain port
1/8" BSP

Bolts M24 Grade 10.9
Mv = 740 ± 30Nm
With MoS2

Bolts M20 Grade 10.9
Mv = 430 ± 20Nm
With MoS2

Drain port
1/8" BSP

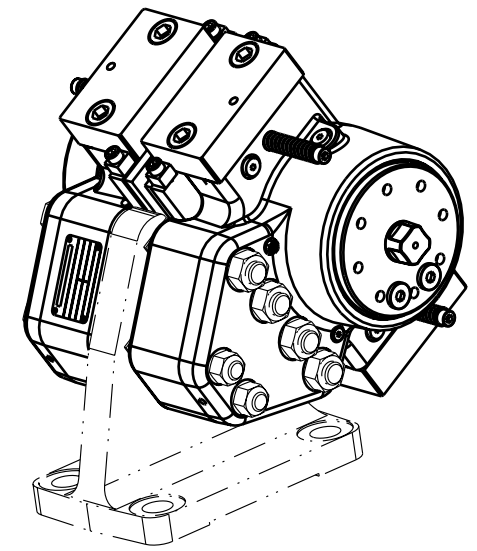
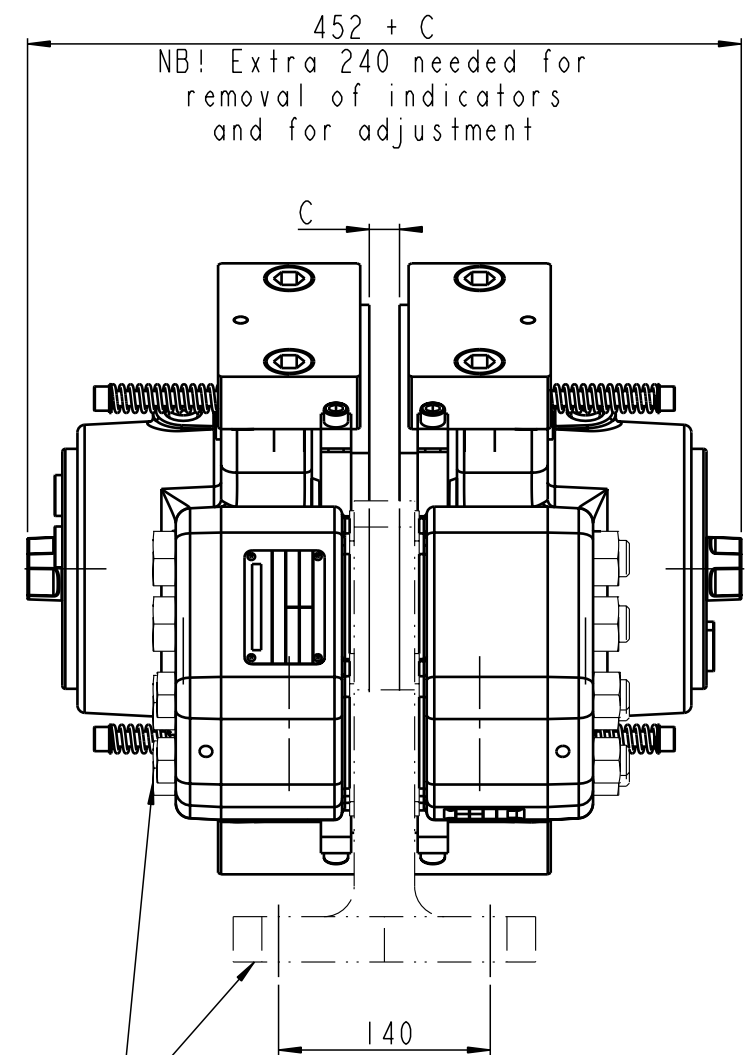
Pressure/bleeding port
1/4" BSP

Bolts M10 Grade 8.8
Mv = 27 ± 2Nm
Dry

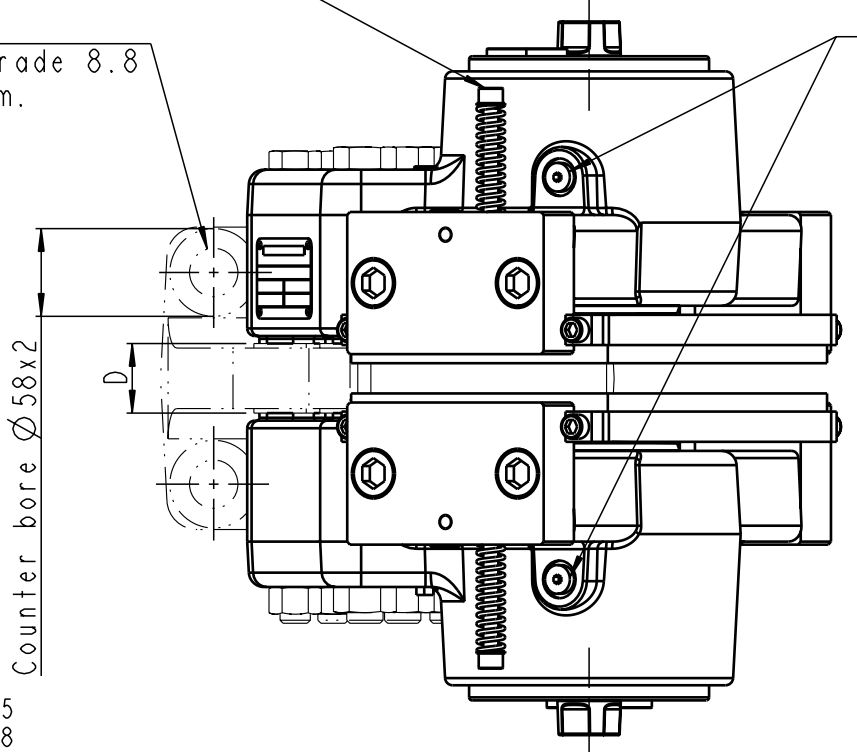
Ø32 (4x)
For Bolts M30 Grade 8.8
Mv = 1040 ± 40Nm.
With MoS2

Bracket and mounting bolts
are not included in brake

Active pressure port
BSP 1/4"
May not be pressurized



Distance from center of brake disc (R = Radius of brake disc)
A = 0.866 (R - 100) + 18.3
B = 0.5 (R - 100) + 260
C = Brake disc thickness
D = Mounting surface width = C + 26
Mounting drawing, see drawing 490 1778
Weight: Approx. 150 kg incl. brake pads (excl. bracket and bolts)



Rev. G 92826 RRH 05.04.2005
Rev. H 93792 COT 23.06.2008
Rev. I 94186 SFR 20.03.2009

Svendborg Brakes A/S reserves the right to revise
this document without prior notification or obligation

Tolerances for corner radii, angles, chamfers and threads according to: DS/EN 22768 - m		✓ Indicates Ra in µm	All dimensions in mm	Accep. for prod. by
Description		BSFI 3000-S-200		Drw+Design checked by
Drawn by M.Pallesen	Date: 16-Nov-00	Drawing No. 490-1590-801		Revision 1
				Scale 1:5 (A3)
				Sheet 1 of 1 sheets

CONFIDENTIAL

CHECKED by SYSTEM
12-04-2010
RELEASED
by sfr